

## Outside/Room Temperature Sensor Resistor Type: H0T-114P



### Product Type

---

Resistor type temperature sensor.  
Range of operation -20...55 °C / <100 % r. h.

### Application

---

Obtaining open area/room temperature in heating, ventilation and air conditioning plants.

### Order number description

---

Order number	Sensor type	Operating limits	Response time (No Air Move)
<b>H0T-114P</b>	Pt 100	-20...55 °C	~ 7 min
	Pt 1000	-20...55 °C	~ 7 min
	NTC 10k	-20...55 °C	~ 7 min

## Function

---

The sensor monitors the surrounding temperature via its sensing element. The resistance of the sensing element changes as a function of the ambient temperature. The resistance value is used for further handling by a suitable controller.

## Mechanical design

---

The unit has been designed for wall mounting.

The units consist of a base and cover. The base carries the connection terminals. The body material is flame-retardant.

Cable entry is via a PG-9 gland. Be careful of tightening cable gland sufficiently in order to assure housing IP55 protection.

## Disposal

---



These devices are considered electronics devices for disposal in terms of European Directive 2012/19/EU and may not be disposed of as domestic waste.

- \* Dispose of the device via the channels provided for this purpose.
- \* Comply with all local and currently applicable laws and regulations.
- \* Plastic and metal sections are better to recycle separately.

## Engineering notes

---

The permissible cable lengths are dependent on the type of controller with which the sensor is used. They are specified in the Data Sheet of the relevant controller.

In general, for Pt1000 and NTC10K sensors longer cables could be used.

Screened cable is necessary for noisy environments. Cable screen shall be connected to earth from controller side and consider gland size while assembling sensor.

## Mounting notes

---

Prevent installation of sensor exposed to water or any liquid drain.

The unit must not be exposed to direct solar radiation.

The permissible ambient conditions should be observed.

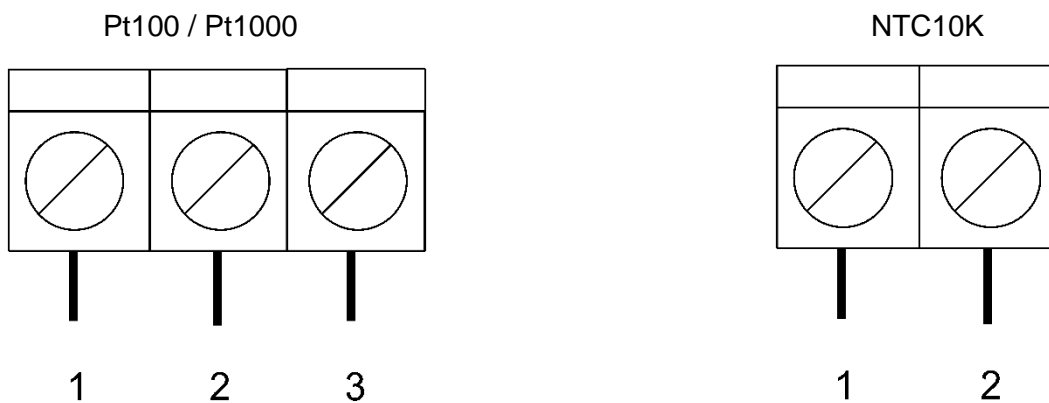
## Technical Data

---

Functional Data	Range of use Type of measurement & output	Refer to "Page 1" Temperature Pt100, Pt1000, NTC10K
Degree of protection	Safety class Degree of protection for housing	Not defined IP55
Electrical connections	Screw terminals Perm. Cable lengths	Max. 3x1.5mm <sup>2</sup> Refer to "Engineering notes"
Environmental Conditions	Operation condition	Temperature: -20...55°C Humidity: 0...<100% r.h.

## Internal diagram

---



Pins 1 & 2 are connected to sensors same pin. User shall wire terminals 2 & 3 in case of 2-wire connection.

## Dimensions (mm)

---

