


Type BM6G Load Cell



Short description



- Stainless steel IP68/IP69k single point load cell
- Suitable for platform, belt scales and other weighing devices
- Maximum platform size 800 x 800mm (for 100 – 500 kg)
- Maximum platform size 400 x 400mm (for 10 – 100kgSE)
- 10kg only available with PTB certificate D09-10.06 Revision 1 of C R60/2000 DE1-10.02
- 10kg, 20 kg, 50 kg also available with C4MR approval with PTB certificate D09-10.06 revision 1, C of C R60/2000 DE1-10.02 (Y=40000 Z=6000)

 test certificate no. TC8011 revision 0
C of C no R60/2000-NL1-11.29

 Certificate no. 12-017

Available models

Capacity	Accuracy	Full article description
10kg	C3/C4/C4MR	BM6G-C3/C4/C4MR-10kg-3B6
20kg	C3/C4/C5/C4MR	BM6G-C3/C4/C5/C4MR-20kg-3B6
50kg	C3/C4/C5/C4MR	BM6G-C3/C4/C5/C4MR-50kg-3B6
75kg	C3/C4/C5	BM6G-C3/C4/C5-75kg-SE-3B6
100kg	C3/C4/C5	BM6G-C3/C4/C5-100kg-SE-3B6
100kg	C3/C4/C5	BM6G-C3/C4/C5-100kg-3B
150kg	C3/C4/C5	BM6G-C3/C4/C5-150kg-3B
200kg	C3/C4/C5	BM6G-C3/C4/C5-200kg-3B
300kg	C3/C4/C5	BM6G-C3/C4/C5-300kg-3B
400kg	C3/C4/C5	BM6G-C3/C4/C5-400kg-3B
500kg	C3/C4/C5	BM6G-C3/C4/C5-500kg-3B

Specifications and dimensions are subject to change without notice and do not constitute any liability whatsoever.

Detailed specifications BM6G

Accuracy class		OIML R60 C3	OIML R60 C4	OIML R60 C5
Output sensitivity (= FS)	mV/V	2.0 ± 0.2		
Maximum capacity (E _{max})	kg	10, 20, 50, 75, 100, 150, 200, 300, 400, 500		20, 50, 75, 100, 150, 200, 250, 300, 400, 500
Max.number of load cell intervals	n _{LC}	3000	4000	5000
Ratio of min. LC verification interval	Y = E _{max} /	10000	15000	20000
Combined Error	%FS	≤± 0.0230	≤± 0.0175	≤± 0.0140
Minimum dead load	Of E _{max}	0%		
Safe overload	of E _{max}	150 %		
Ultimate overload	of E _{max}	300 %		
Zero balance	of FS	< ± 2.0 %		
Excitation, recommended voltage	V	5 ~ 12		
Excitation maximum	V	18		
Input resistance	Ω	10, 20, 50 380 ± 15	100, 150, 200, 300, 400, 500 350 ± 3.5	
Output resistance	Ω	350 ± 10		
Insulation resistance	MΩ	≥5000 (at 50VDC)		
Compensated temperature	°C	-10 ~+40		
Operating temperature	°C	-35 ~+65		
Storage temperature	°C	-40 ~ +70		
Element material		Stainless steel		
Ingress Protection (acc. to EN 60529)		IP68/IP69K		
Recommended torque on fixation	Nm	M6: 10		M8:25
ATEX classification (optional)		II1G Ex ia II1C T4	II1D Ex iaD 20 T73°C	II3G nL IIC T4

Wiring

Wiring:

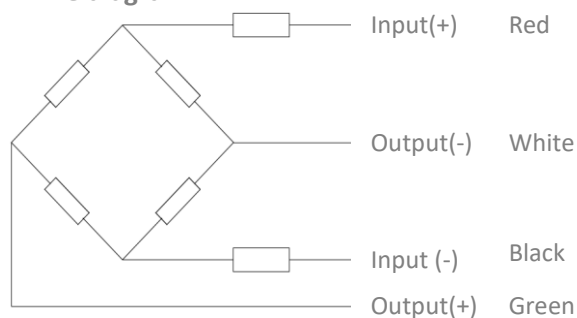
Shielded cable, 6 conductor cable for 10-100(SE)kg and 4 conductor cable for 100-500kg.

Cable diameter: Ø5mm

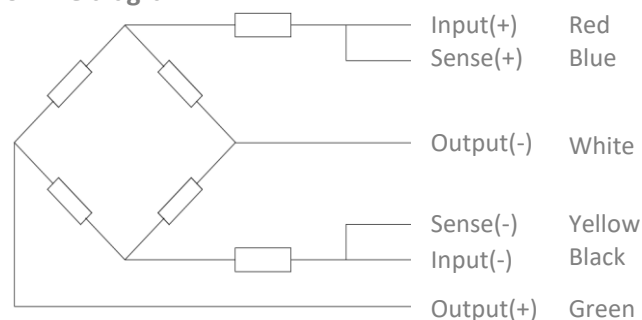
Standard cable length: 3m

Shield not connected to element

4-wire diagram



6-wire diagram

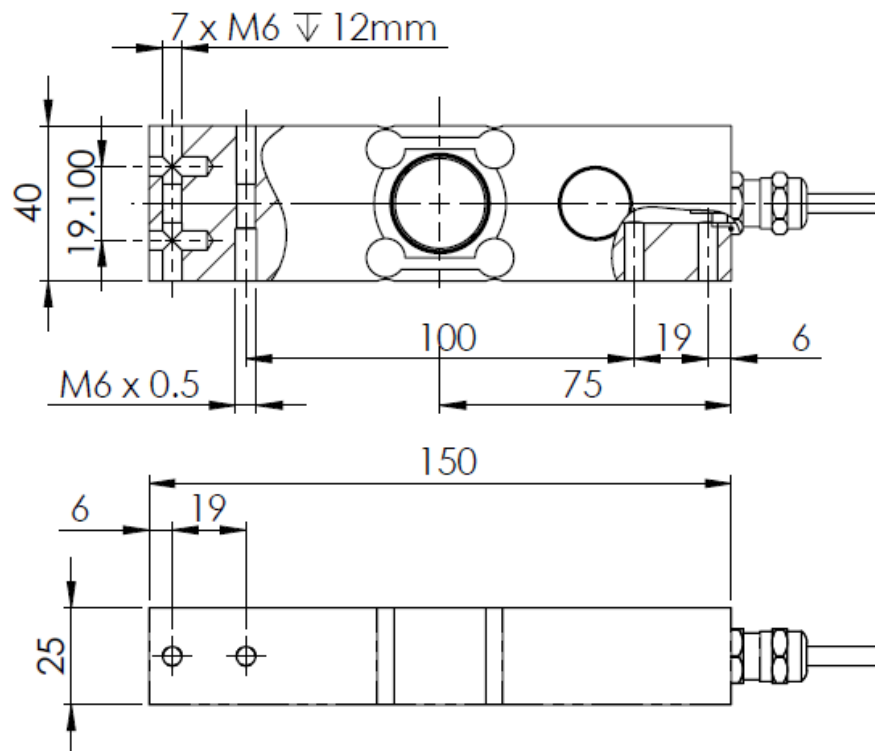


Specifications and dimensions are subject to change without notice and do not constitute any liability whatsoever.

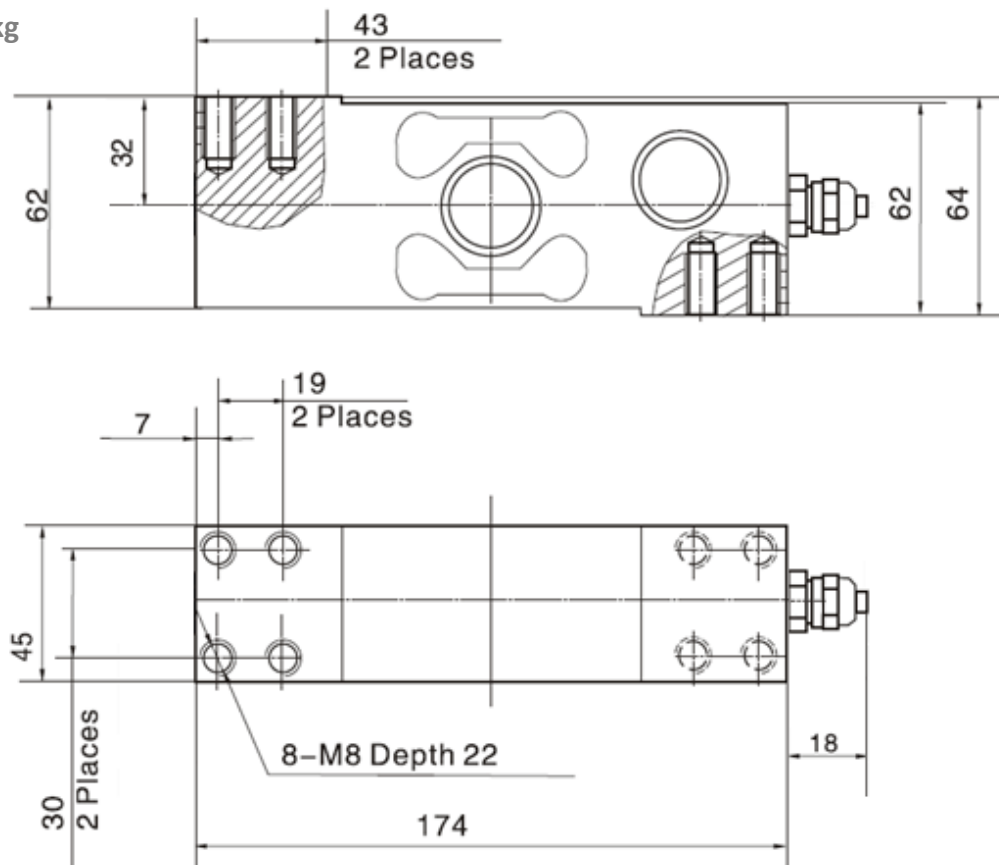
Type BM6G Load Cell

Dimensions in mm

10-100(SE)kg



100-500kg



Specifications and dimensions are subject to change without notice and do not constitute any liability whatsoever.