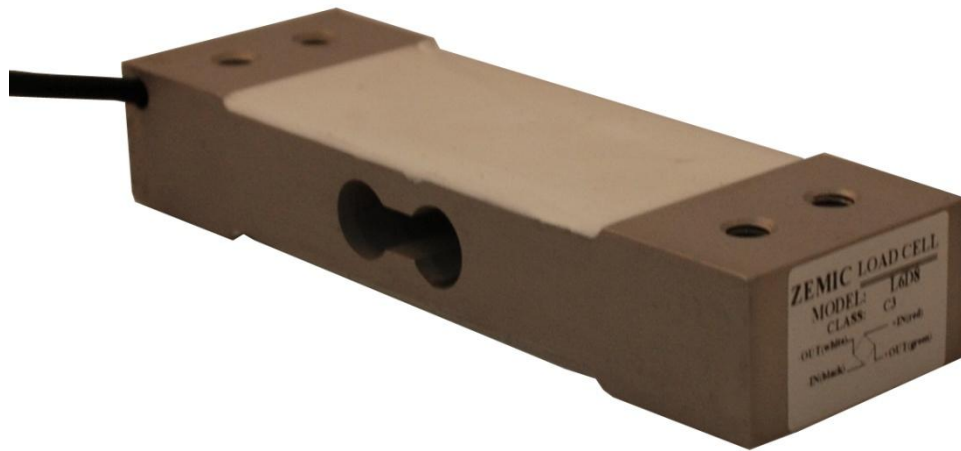



Type L6D8 Load Cell



Short description



- Aluminium-alloy IP65 single point load cell.
- Colourless anodized
- Suitable for pricing scales, bench scales, etc.
- Maximum platform size: 350 x 350 mm

 OIML test certificate no. D09-09.12 Revision 0

Available models

Capacity	Accuracy	Full article description
75kg	C3/C4	L6D8-C3/C4-75kg-1.6B
100kg	C3/C4	L6D8-C3/C4-100kg-1.6B
150kg	C3/C4	L6D8-C3/C4-150kg-1.6B
200kg	C3/C4	L6D8-C3/C4-200kg-1.6B

Specifications and dimensions are subject to change without notice and do not constitute any liability whatsoever.

Type L6D8 Load Cell

Detailed specifications L6D8

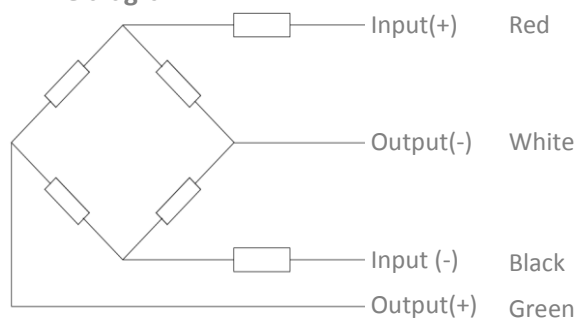
Accuracy class		OIML R60 C3	OIML R60 C4
Output sensitivity (= FS)	mV/V	2.0 ± 0.2	
Maximum capacity (E _{max})	kg	75, 100, 150, 200	
Max.number of load cell intervals	n _{LC}	3000	4000
Ratio of min. LC verification interval	$Y = E_{max} / v_{min}$	10000	16000
Combined Error	%FS	≤± 0.0230	≤± 0.0175
Minimum dead load	Of E _{max}	0%	
Safe overload	of E _{max}	150 %	
Ultimate overload	of E _{max}	300 %	
Zero balance	of FS	< ± 1.0 %	
Excitation, recommended voltage	V	5 ~ 12	
Excitation maximum	V	18	
Input resistance	Ω	409 ± 6	
Output resistance	Ω	350 ± 3	
Insulation resistance	MΩ	≥5000 (at 50VDC)	
Compensated temperature	°C	-10...+40	
Operating temperature	°C	-35...+65	
Storage temperature	°C	-40...+70	
Element material		Aluminium	
Ingress Protection (acc. to EN 60529)		IP65	
Recommended torque on fixation	Nm	M6: 10	

Wiring

Wiring:

Shielded, 4 conductor cable.
 Cable diameter: Ø3.8mm.
 Standard cable length: 1.60m.
 Shield not connected to element.
 Cable jacket in PVC.

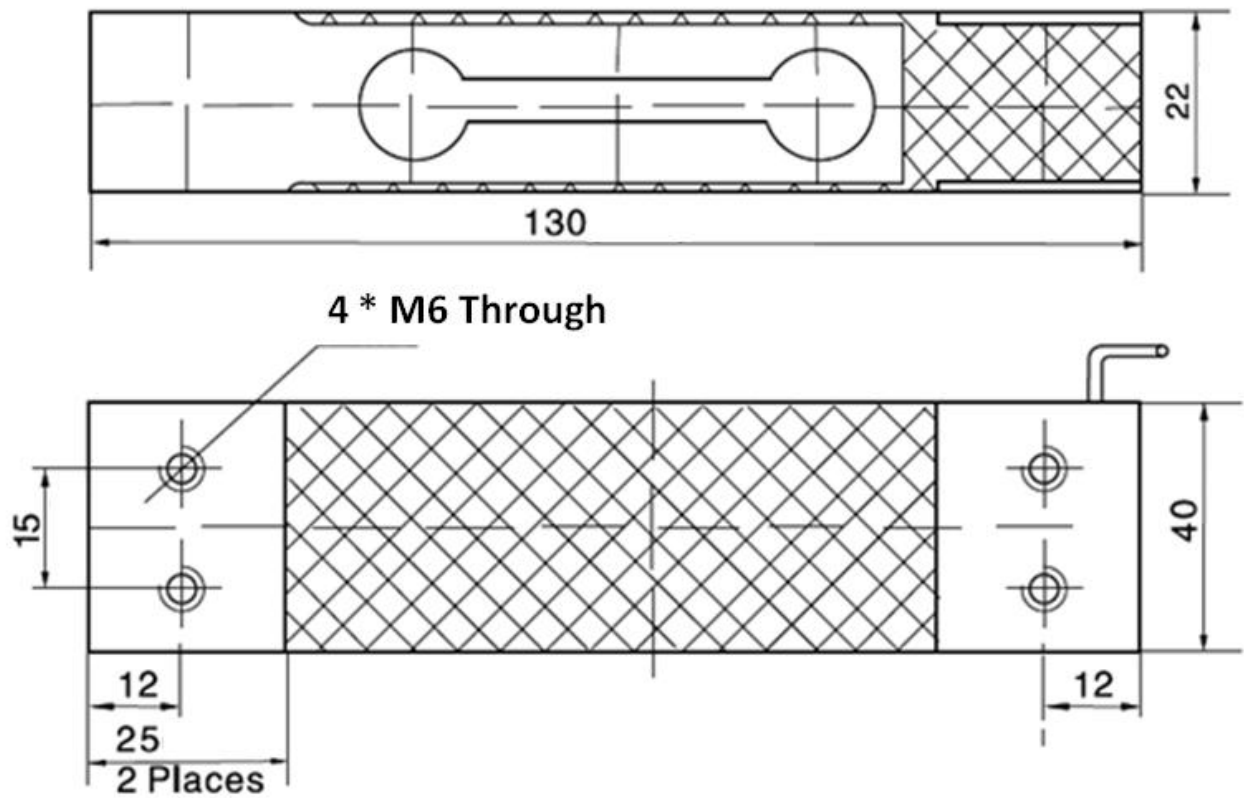
4-wire diagram



Specifications and dimensions are subject to change without notice and do not constitute any liability whatsoever.

Type L6D8 Load Cell

Dimensions in mm



Note: Screws M6 class 8.8, screw rinsed with oil. Torque as in specifications table

Specifications and dimensions are subject to change without notice and do not constitute any liability whatsoever.