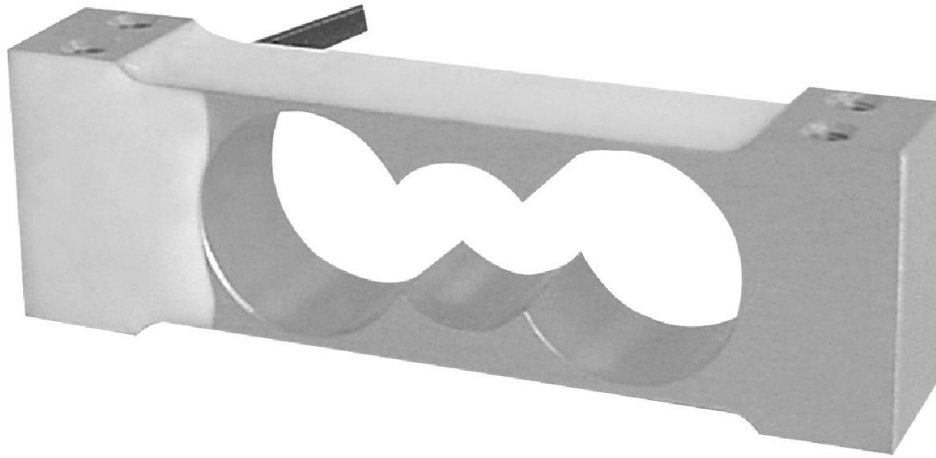


Type L6J1 Load Cell



Short description



- Aluminium-alloy IP65 single point load cell.
- Colourless anodized
- Suitable for counting scales, balances, pricing scales etc
- Maximum platform size: 200 x 200 mm

Non OIML approved

Available models

| Capacity | Accuracy | Full article description |
|----------|----------|--------------------------|
| 0.3kg | C3D | L6J1-C3D-0.3kg-0.45B |
| 0.4kg | C3D | L6J1-C3D-0.4kg-0.45B |
| 0.5kg | C3D | L6J1-C3D-0.5kg-0.45B |
| 0.6kg | C3D | L6J1-C3D-0.6kg-0.45B |
| 1kg | C3D | L6J1-C3D-1kg-0.45B |
| 2kg | C3D | L6J1-C3D-2kg-0.45B |
| 3kg | C3D | L6J1-C3D-3kg-0.45B |

Specifications and dimensions are subject to change without notice and do not constitute any liability whatsoever.

Detailed specifications L6J1

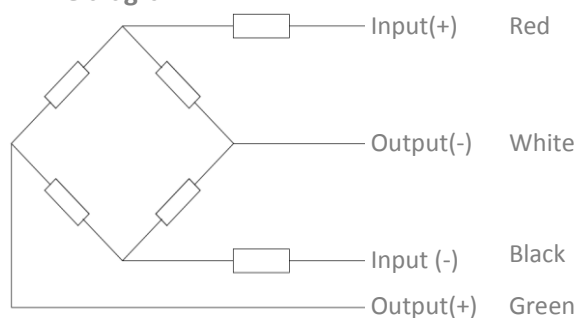
| | | |
|--|---|----------------------------|
| Accuracy class | | C3D |
| Output sensitivity (= FS) | mV/V | 1.0 ± 0.1 |
| Maximum capacity (E _{max}) | kg | 0.3, 0.4, 0.5, 0.6, 1,2, 3 |
| Max.number of load cell intervals | n _{LC} | 2500 |
| Ratio of min. LC verification interval | Y = E _{max} / v _{min} | 5000 |
| Combined Error | %FS | ≤± 0.0280 |
| Minimum dead load | Of E _{max} | 0% |
| Safe overload | of E _{max} | 150 % |
| Ultimate overload | of E _{max} | 300 % |
| Zero balance | of FS | < ± 2.0 % |
| Excitation, recommended voltage | V | 5 ~ 12 |
| Excitation maximum | V | 18 |
| Input resistance | Ω | 394 ± 6 |
| Output resistance | Ω | 350 ± 3 |
| Insulation resistance | MΩ | ≥5000 (at 50VDC) |
| Compensated temperature | °C | -10...+40 |
| Operating temperature | °C | -35...+65 |
| Storage temperature | °C | -40...+70 |
| Element material | | Aluminium |
| Ingress Protection (acc. to EN 60529) | | IP65 |
| Recommended torque on fixation | Nm | M3: 1.5 |

Wiring

Wiring:

Shielded, 4 conductor cable.
 Cable Diameter: Ø3mm
 Standard cable length: 0.45m
 Shield not connected to element.
 Cable jacket is PVC.

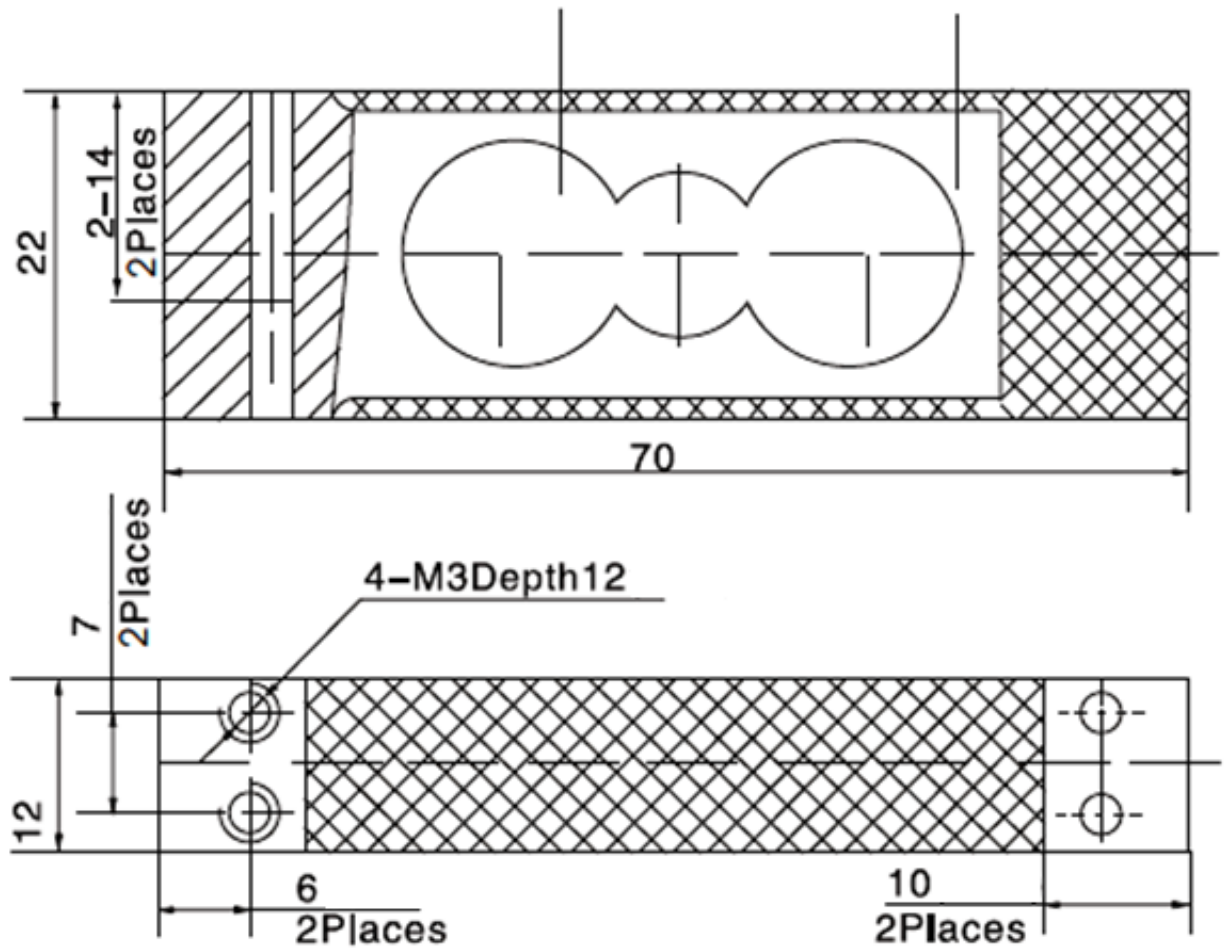
4-wire diagram



Specifications and dimensions are subject to change without notice and do not constitute any liability whatsoever.

Type L6J1 Load Cell

Dimensions in mm



Specifications and dimensions are subject to change without notice and do not constitute any liability whatsoever.