

# Type B8Q Load Cell



## Short description



- Stainless steel IP67 shear beam load cell
- Low profile
- Suitable for hopper, floor and other electronic scales
- Current calibrated (SC-option)



test certificate no. TC7809 Revision 0  
C of C no R60/2000-NL1-10.14 Revision 1



Certificate no. 12-029

## Available models

Capacity	Accuracy	Full article description
200kg	C3 Excluded from OIML	B8Q-C3-200kg-3B-SC(-W6)
500kg	C3	B8Q-C3-500kg-3B-SC(-W6)
1000kg	C3	B8Q-C3-1000kg-3B-SC(-W6)
2000kg	C3	B8Q-C3-2000kg-3B-SC(-W6)

Specifications and dimensions are subject to change without notice and do not constitute any liability whatsoever.

## Detailed specifications B8Q

Accuracy class		C3	OIML R60 C3
Output sensitivity ( = FS )	mV/V	2.0 ± 0.002	
Maximum capacity ( E <sub>max</sub> )	kg	200	500, 1000, 2000
Max.number of load cell intervals	n <sub>LC</sub>	3000	
Ratio of min. LC verification interval	$Y = E_{max} / v_{min}$	10000	15000
Combined Error	%FS	≤± 0.0230	
Minimum dead load	Of E <sub>max</sub>	0%	
Safe overload	of E <sub>max</sub>	150 %	
Ultimate overload	of E <sub>max</sub>	300 %	
Zero balance	of FS	< ± 1.0 %	
Excitation, recommended voltage	V	5 ~ 12	
Excitation maximum	V	18	
Input resistance	Ω	1106 ± 5	
Output resistance	Ω	1000 ± 3	
Insulation resistance	MΩ	≥5000 ( at 50VDC )	
Compensated temperature	°C	-10 ~ +40	
Operating temperature	°C	-35 ~ +65	
Storage temperature	°C	-40 ~ +80	
Element material		Stainless steel	
Ingress Protection (acc. to EN 60529)		IP67	
Recommended torque on fixation	Nm	M12: 75	

## Wiring

### Wiring:

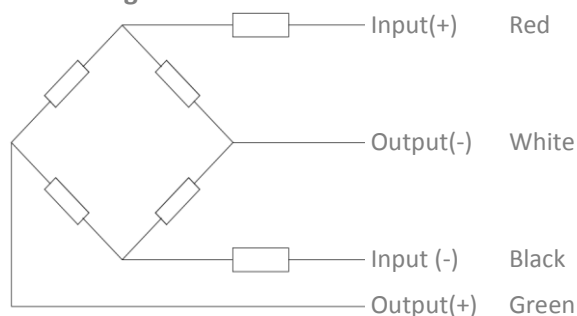
Shielded, 4 conductor cable.

Cable diameter: Ø5mm.

Standard cable length: 3m.

Shield not connected to element.

### 4-wire diagram

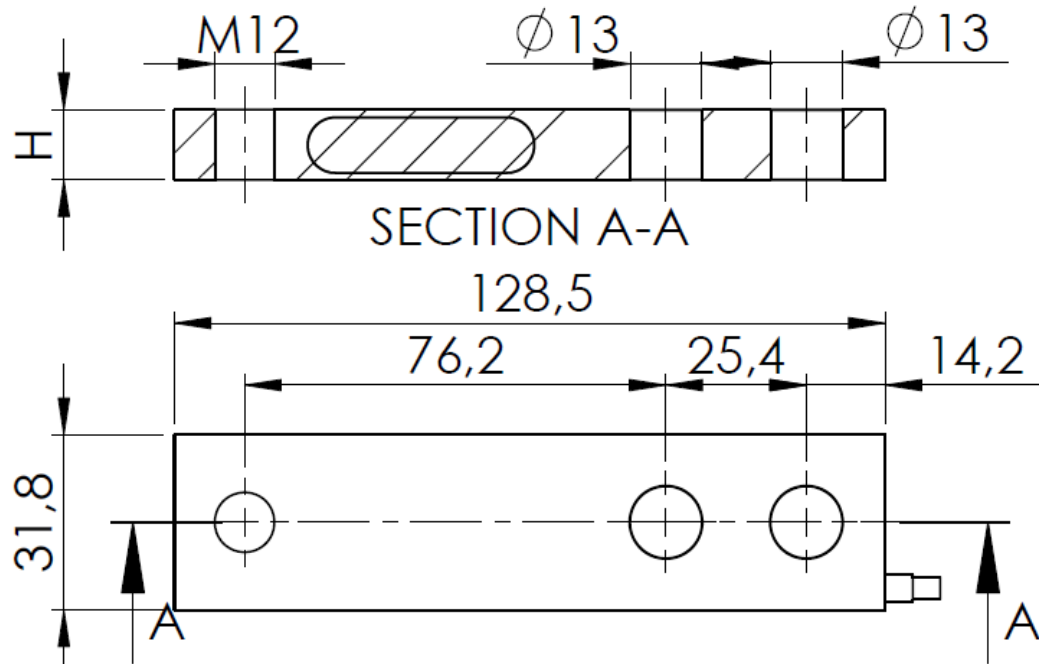


Specifications and dimensions are subject to change without notice and do not constitute any liability whatsoever.

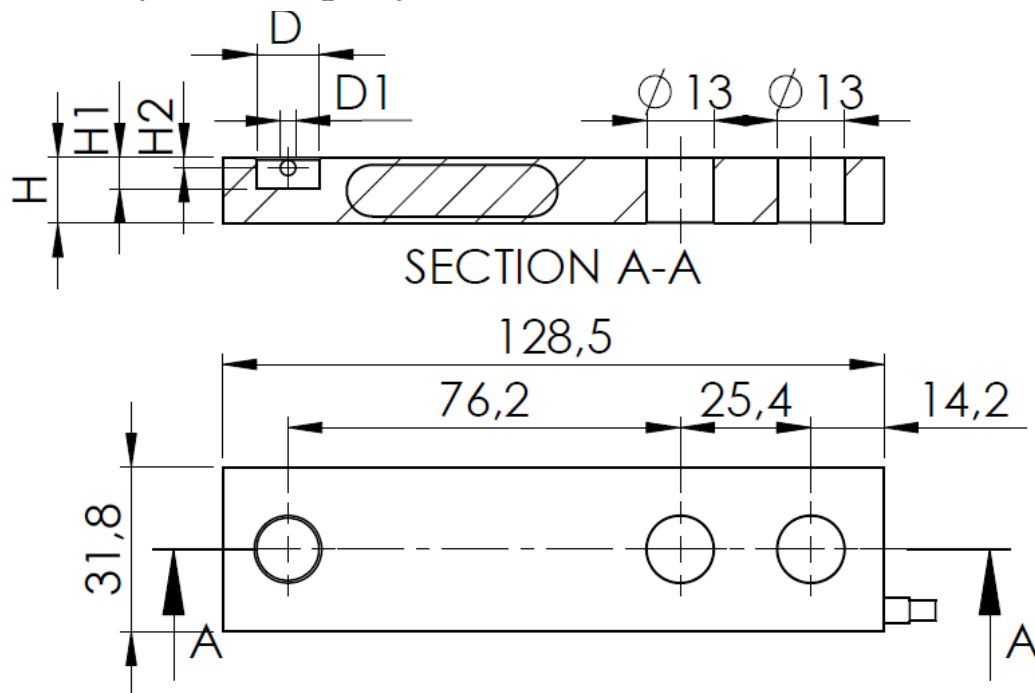
# Type B8Q Load Cell

Dimensions in mm

Standard version



Option W6 version ("T" end loading hole)

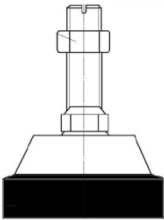
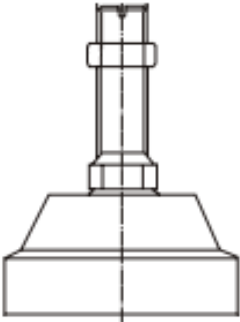
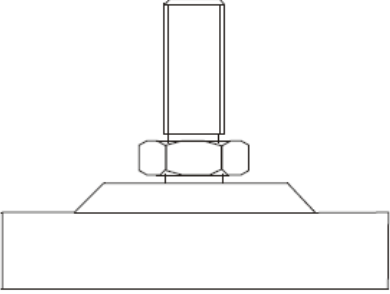
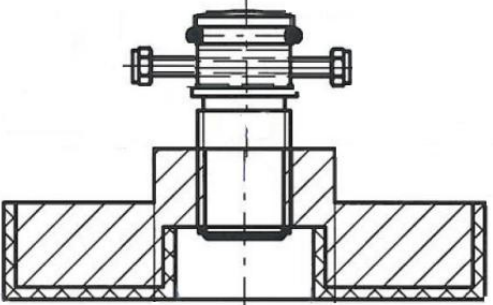


Dimension Capacity	H	H1	H2	$\phi D$	$\phi D1$
200kg	12.7	6	2	12.1	3
500kg	15.9	9.5	2.8	18.1	4
1000kg	19.1	9.5	2.8	18.1	4
2000kg	25.4	9.5	2.8	18.1	4

Specifications and dimensions are subject to change without notice and do not constitute any liability whatsoever.

# Type B8Q Load Cell

## Available accessories

<p><b>BJ-8-202-0.5-5t foot</b></p> <ul style="list-style-type: none"><li>• <math>\varnothing 60-80</math> and height 92-105 mm</li><li>• Stainless Steel</li><li>• Adjustable height</li></ul>	
<p><b>BJ-8-205-0.5-2t foot</b></p> <ul style="list-style-type: none"><li>• <math>\varnothing 88</math> and height 105 mm</li><li>• Easy installation</li><li>• Adjustable height</li><li>• Automatically centralized inside</li><li>• Good ability of anti-side loading</li><li>• Mainly used for platform scales, floor scales and other electronic weighing devices</li></ul>	
<p><b>BJ-8-215-0.5-2t foot</b></p> <ul style="list-style-type: none"><li>• <math>\varnothing 81</math> and height 48 mm</li><li>• Easy installation</li><li>• Adjustable height</li><li>• Automatically centralized inside</li><li>• Good ability of anti-side loading</li><li>• Mainly used for platform scales, floor scales and other electronic weighing devices</li></ul>	
<p><b>BJ-8-250-0.2-2t foot</b></p> <ul style="list-style-type: none"><li>• <math>\varnothing 60-80</math> and height 30-51 mm</li><li>• Easy installation</li><li>• Suitable for W6 option</li></ul>	

Specifications and dimensions are subject to change without notice and do not constitute any liability whatsoever.