

Type H10J-15t-30/31 Load Cell



Short description



- Nickel plated alloy steel IP67 on board load cell
- Adhesive sealed
- Suitable for on board weighing

Available models

Capacity	Accuracy	Full article description
15t	G10	H10J-15t-30
15t	G10	H10J-15t-31

Specifications and dimensions are subject to change without notice and do not constitute any liability whatsoever.

Type H10J-15t-30/31 Load Cell

Detailed specifications H10J

Accuracy class		G10	
Output sensitivity (= FS)	mV/V	0.500 ± 0.05 @ 6t	0.450 ± 0.05 @ 6t
Maximum capacity (E _{max})	t	15t-30	15t-31
Ratio of min. LC verification interval	$Y = E_{max} / V_{min}$	700	
Combined Error	%FS	≤ ± 1.000	
Minimum dead load	Of E _{max}	0%	
Safe overload	of E _{max}	120 %	
Ultimate overload	of E _{max}	150 %	
Zero balance	of FS	< ± 2.0 %	
Excitation, recommended voltage	V	5 ~ 12	
Excitation maximum	V	18	
Input resistance	Ω	387 ± 25	
Output resistance	Ω	350 ± 3.5	
Insulation resistance	MΩ	≥5000 (at 50VDC)	
Compensated temperature	°C	-10 ~ +40	
Operating temperature	°C	-35 ~ +70	
Storage temperature	°C	-40 ~ +80	
Element material		Nickel plated alloy steel	
Ingress Protection (acc. to EN 60529)		IP67	
Recommended torque on fixation	ft. lbs.	1-14-UNS: 170	1-12-UNF: 150

Wiring

Wiring:

Shielded, 4 conductor cable.

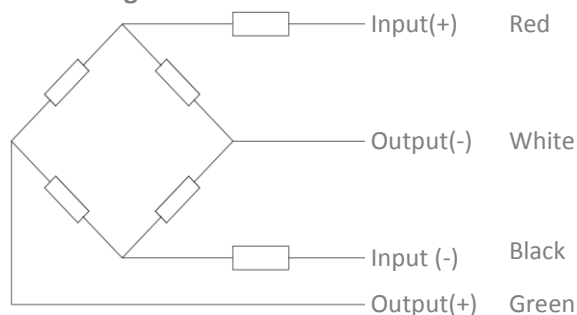
Cable diameter: Ø5mm.

Standard cable length: 10m.

Shield not connected to element.

For H10J-15t-30/31 version:

4-wire diagram

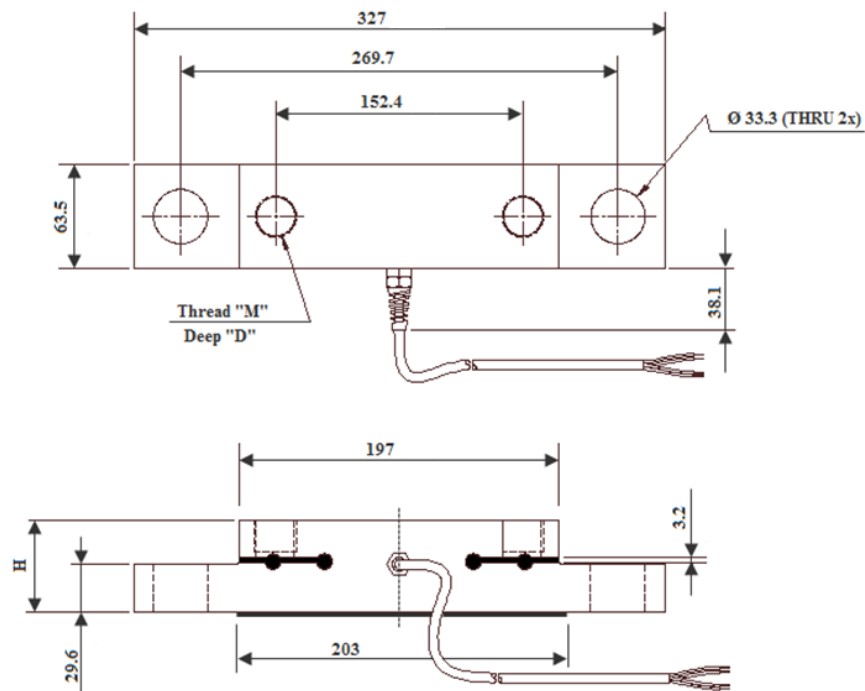


Specifications and dimensions are subject to change without notice and do not constitute any liability whatsoever.

Type H10J-15t-30/31 Load Cell

Dimensions in mm

H10J-15t-30/31



Dimension Capacity	M	D	H
H10J-15t-30	1-14-UNS	20.3	56.5
H10J-15t-31	1-12-UNF	25.4	62

Specifications and dimensions are subject to change without notice and do not constitute any liability whatsoever.