



Short Description



- Alloy steel IP66 compression load cell
- Epoxy coated
- Cable suitable for application with higher temperatures up to 130°C
- Low profile
- Double bridge option from 13t and up
- 350t and 500t load cells are delivered with a connector for easy installation

Available Models

Capacity	Accuracy	Full Article Description
2.8t	G1/G2	H14W-G1/G2-2.8t-6B
6t	G1/G2	H14W-G1/G2-6t-6B
13t	G1/G2	H14W-G1/G2-13t-15B
28t	G1/G2	H14W-G1/G2-28t-15B
60t	G1/G2	H14W-G1/G2-60t-15B
130t	G1/G2	H14W-G1/G2-130t-20B
280t	G1/G2	H14W-G1/G2-280t-20B
350t	G1/G2	H14W-G1/G2-350t-25J
500t	G1/G2	H14W-G1/G2-500t-25J

Specifications and dimensions are subject to change without notice and do not constitute any liability whatsoever.

Technical Specifications H14W

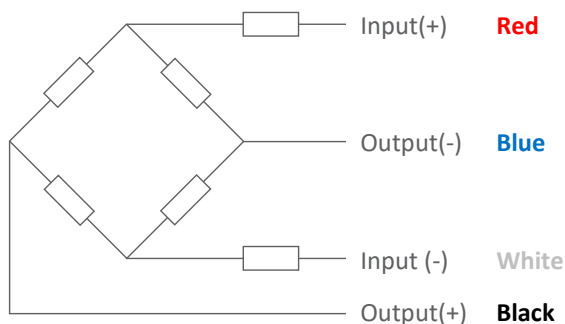
Accuracy Class		G1			G2		
Output Sensitivity (= FS)	mV/V	1.5 ± 0.008	1.5 ± 0.1		1.5 ± 0.008	1.5 ± 0.1	
Maximum Capacity (E _{max})	t	2.8, 6, 13, 28, 60, 130, 280	350, 500		2.8, 6, 13, 28, 60, 130, 280	350, 500	
Combined Error	%FS	≤± 0.10			≤± 0.20		
Hysteresis	%FS	≤± 0.10			≤± 0.20		
Creep Error (30 minutes)	%FS	≤± 0.060			≤± 0.080		
Creep Error (20 - 30 minutes)	%FS	≤± 0.015			≤± 0.020		
Minimum Dead Load Output Return	%FS	≤± 0.050			≤± 0.070		
Temperature Effect on Zero (ZTC)	%FS/10°C	≤± 0.50			≤± 0.50		
Temperature Effect on Sensitivity (STC)	%FS/10°C	≤± 0.50			≤± 0.50		
Zero Balance	%FS	≤± 1.5					
Safe Overload	%FS	150					
Ultimate Overload	%FS	300					
Excitation, Recommended Voltage	V	5 ~ 12					
Excitation, Maximum Voltage	V	15					
Input Resistance	Ω	275 ± 5 (840 ± 30 for 350t and 500t)					
Output Resistance	Ω	245 ± 0.2 (703 ± 5 for 350t and 500t)					
Insulation Resistance (50V)	MΩ	≥5000					
Compensated Temperature	°C	-10 ~ +40					
Operating Temperature	°C	-20 ~ +70					
Storage Temperature	°C	-30 ~ +70					
Load Cell Weight	kg	2.8t-28t: ~2-3	60t: 4.8	130t: 7.0	280t: 17.1	350t: 35.5	500t: 61.2
Element Material		Alloy steel, epoxy coated					
Ingress Protection (acc. to EN 60529)		IP66					

Wiring

Features:

Cable type: Shielded, 4 conductor cable , conductor AWG 24
 Cable diameter: Ø 6.5mm
 Cable length: 2.8t – 6t: 6m, 13t – 60t: 15m, 130t – 280t: 20m, 350t – 500t: 25m
 Cable jacket: Silicon Rubber
 Shield not connected to element

4-Wire Connection Diagram

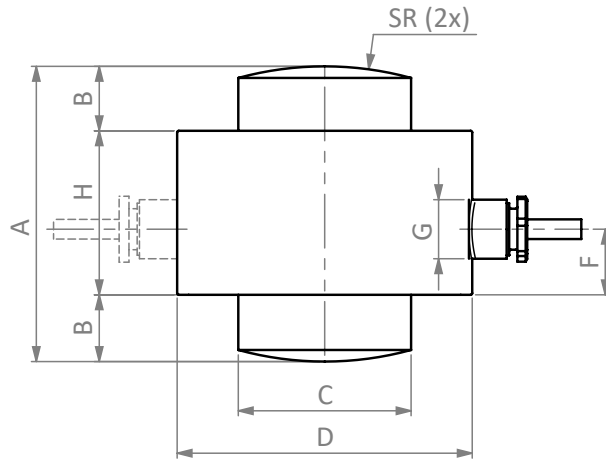


Specifications and dimensions are subject to change without notice and do not constitute any liability whatsoever.

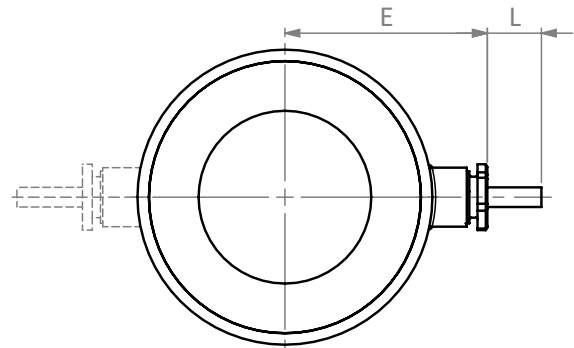
Dimensions in mm

2.8t – 280t

Front View

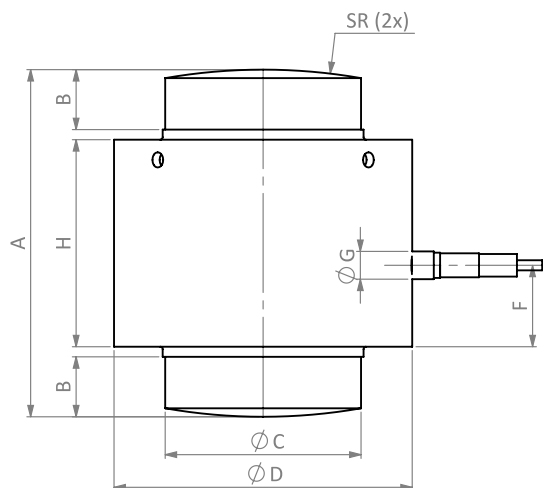


Top View

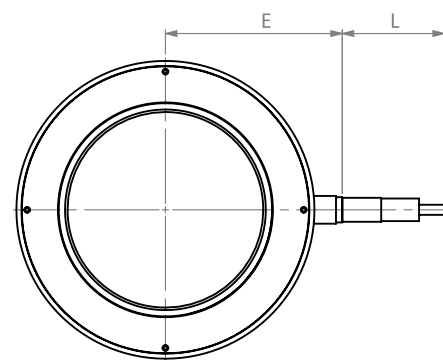


350t – 500t

Front View



Top View



Dimension Capacity	A	B	ØC	ØD	E	F	G	H	L	SR
2.8t, 6t ¹	56	8	16.7	45	40.5	20	18	40	6 m	50
13t	68	12	24.5	55	45.5	20	18	44	15 m	66
28t	74	14	36	64	50	20	18	46	15 m	72
60t	90	20	52.7	90	63	20	18	50	15 m	100
130t	116	26	77.5	121	78.5	20	18	64	20 m	125
280t	170	45	114	165	100.5	20	18	90	20 m	183
350t ²	240	40	132	192	124	54.5	22	139	25 m	325
500t ²	275	47.5	155	236	146	64.5	22	164	25 m	450

¹ 2.8t and 6t versions are not available with a double-bridge option.

² 350t and 500t versions are delivered with a connector instead of a cable gland.

Specifications and dimensions are subject to change without notice and do not constitute any liability whatsoever.