



## Short description



- Nickel plated alloy steel IP68 column load cell
- Hermetically sealed
- High accuracy
- Robust and smart design without semi-conductors
- Set contains HM14H1 load cell with HY-14-146 mounting assembly



test certificate no. TC8228 Revision 0  
C of C no R60/2000-NL1-12.46

## Available models

Capacity	Full article description	Article number
20t	HM14H1-C3-20t-20B-W1 + HY-14-146-W1	1140600
30t	HM14H1-C3-30t-20B-W1 + HY-14-146-W1	1140605
40t	HM14H1-C3-40t-20B-W1 + HY-14-146-W1	1140610
50t	HM14H1-C3-50t-20B-W1 + HY-14-146-W1	1140615

Specifications and dimensions are subject to change without notice and do not constitute any liability whatsoever.

Zemic Europe B.V.  
Leerlooierstraat 8  
4871 EN Etten-Leur  
The Netherlands

Nr. 2016.11 HM14H1 Load cell + Mounting kit Rev2

T: +31 76 50 39480  
F: +31 76 50 39481  
info@zemic.nl  
[www.zemic.nl](http://www.zemic.nl)

## Detailed specifications HM14H1 Load cell + Mounting kit

Accuracy class		C3
Output sensitivity ( = FS )	mV/V	2.0 ± 0.002
Maximum capacity ( E <sub>max</sub> )	t	20, 30, 40, 50
Max.number of load cell intervals	n <sub>LC</sub>	3000
Ratio of min. LC verification interval	$Y = E_{max} / v_{min}$	10000
Combined Error	%FS	≤± 0.02
Minimum dead load	Of E <sub>max</sub>	0%
Safe overload	of E <sub>max</sub>	150 %
Ultimate overload	of E <sub>max</sub>	300 %
Zero balance	of FS	< ± 1.0 %
Excitation, recommended voltage	V	5 ~ 12
Excitation maximum	V	15
Input resistance	Ω	700 ± 7
Output resistance	Ω	703 ± 4
Insulation resistance	MΩ	≥5000 ( at 50VDC )
Compensated temperature	°C	-10 ~+40
Operating temperature	°C	-35 ~ +65
Storage temperature	°C	-40 ~ +70
Element material		Nickel plated alloy steel
Ingress Protection (acc. to EN 60529)		IP68

## Wiring

Wiring:

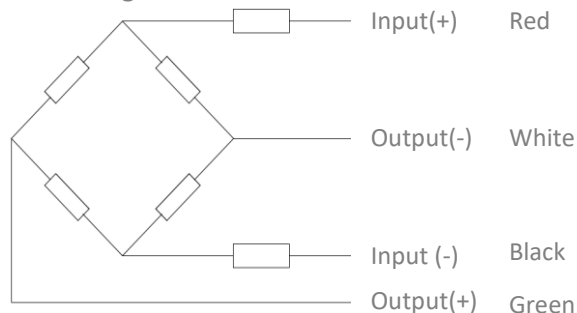
Shielded, 4 conductor cable.

Cable diameter: Ø5.0mm.

Standard cable length: 20m.

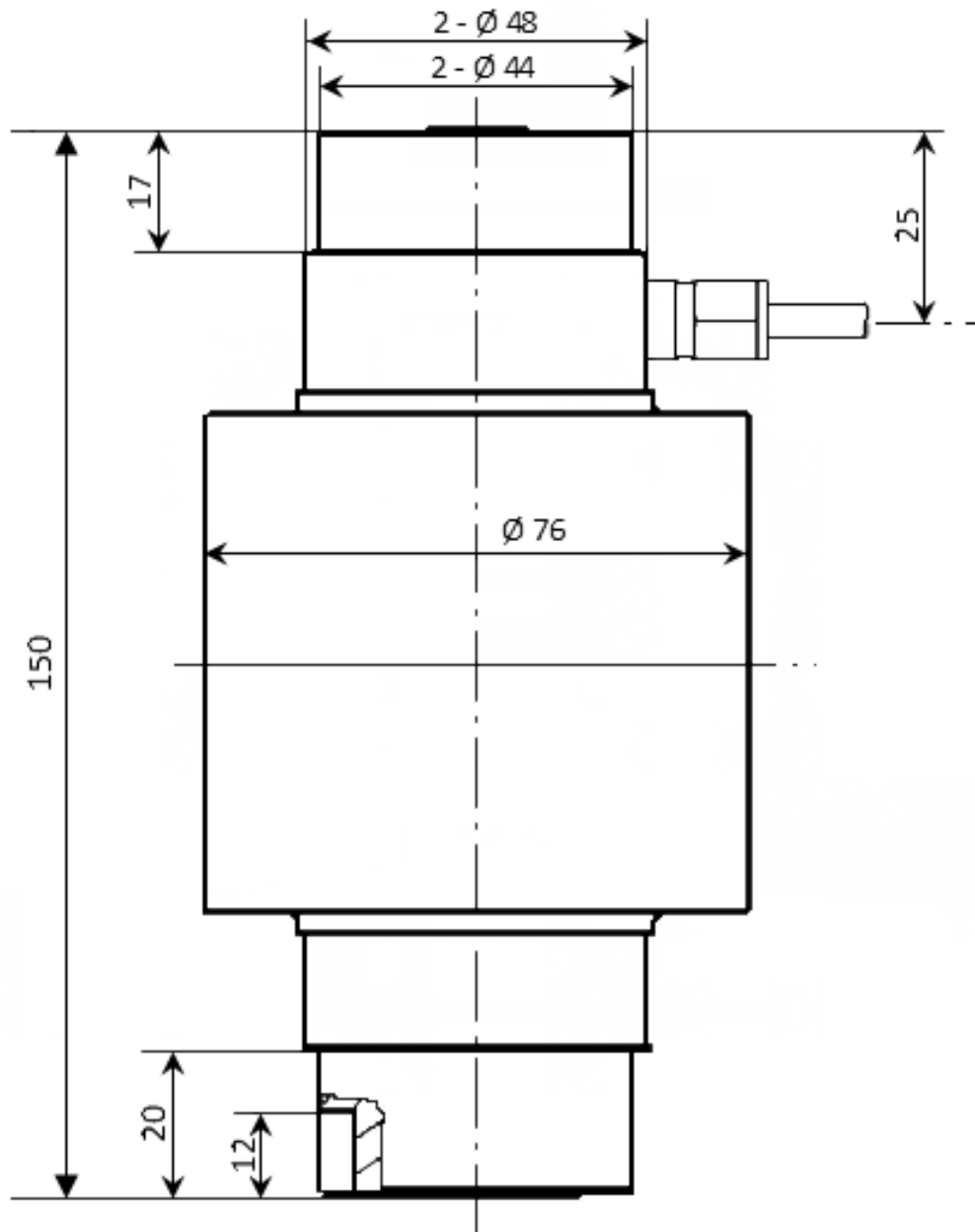
Shield not connected to element.

4-wire diagram



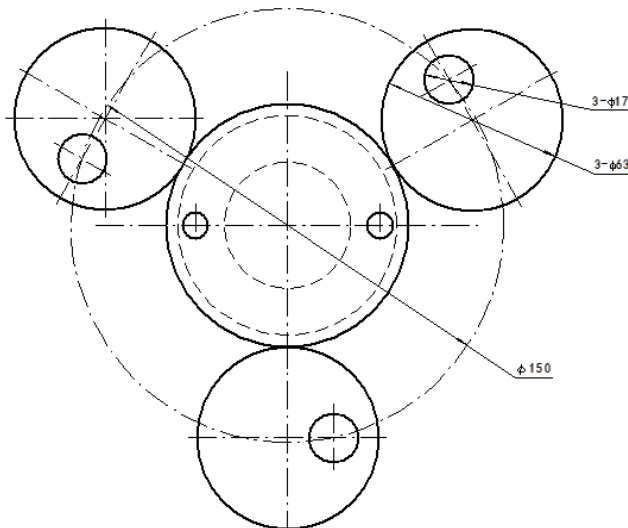
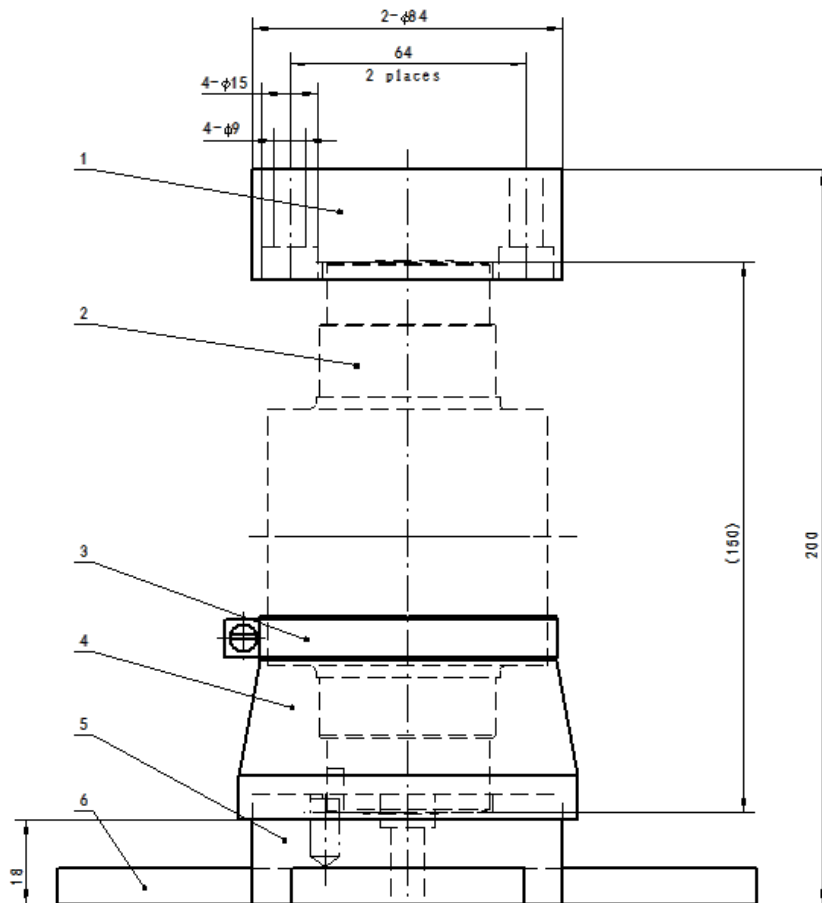
Specifications and dimensions are subject to change without notice and do not constitute any liability whatsoever.

Dimensions in mm



Specifications and dimensions are subject to change without notice and do not constitute any liability whatsoever.

## Rocker support dimensions and part list



Part No.	1	2	3	4	5	6
Name	Upper Button	Load Cell	Tube Clip	Dust Cover	Bottom Button	Eccentric washers
Quantity	1	1	1	1	1	3

Specifications and dimensions are subject to change without notice and do not constitute any liability whatsoever.