



Short Description



- Aluminium-alloy IP65 pedal force load cell
- Colourless anodized
- Easy installation
- Suitable for pedal and break measurement
- Supplied with 300mm Velcro straps

Available Models

Capacity	Accuracy	Full Article Description
100kg	G1	L16A-G1-100kg-4T-W1

Specifications and dimensions are subject to change without notice and do not constitute any liability whatsoever.

Technical Specifications L16A

Accuracy Class		G1
Output Sensitivity (= FS)	mV/V	1.5 ± 0.2
Maximum Capacity (E _{max})	kg	100
Max. Number of Load Cell Intervals	n _{LC}	1000
Ratio of min. LC Verification Interval	$Y = E_{max} / v_{min}$	700
Combined Error	%FS	≤± 0.1
Creep Error (5 Minutes)	%FS	≤± 0.1
Temperature Effect on Zero (ZTC)	%FS/10°C	≤± 0.1
Temperature Effect on Sensitivity (STC)	%FS/10°C	≤± 0.1
Zero Balance	%FS	≤± 2.0
Safe Overload	%FS	150
Ultimate Overload	%FS	300
Excitation, Recommended Voltage	V	5 ~ 10
Excitation, Maximum Voltage	V	15
Input Resistance	Ω	744 ± 6
Output Resistance	Ω	700 ± 7
Insulation Resistance (50V)	MΩ	≥5000
Compensated Temperature	°C	-10 ~ + 40
Operating Temperature	°C	-20 ~ + 50
Storage Temperature	°C	-30 ~ + 60
Load Cell Weight	kg	0.4
Element Material		Aluminium
Ingress Protection (acc. to EN 60529)		IP65

Wiring

Features:

Cable type: Shielded, 4 conductor coiled cable , conductor AWG 26

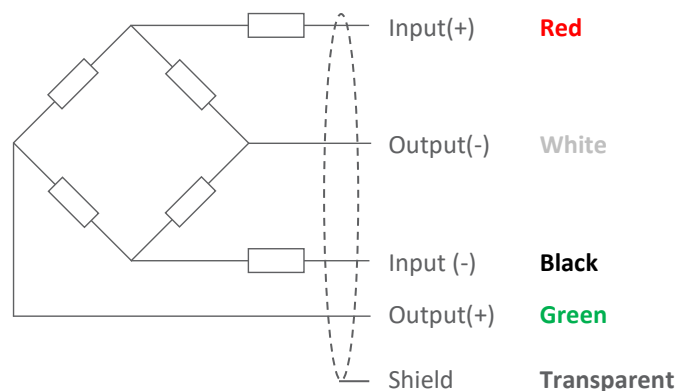
Cable diameter: Ø 3.8mm

Cable length: 4m (coil extended)

Cable jacket: PVC

Shield not connected to element

4-Wire Connection Diagram

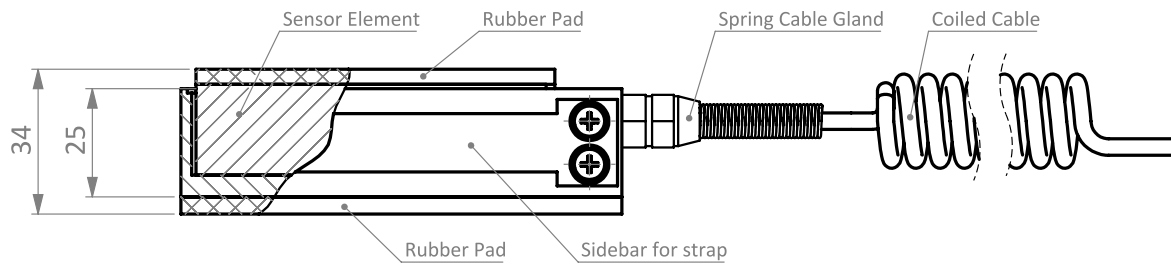


Specifications and dimensions are subject to change without notice and do not constitute any liability whatsoever.

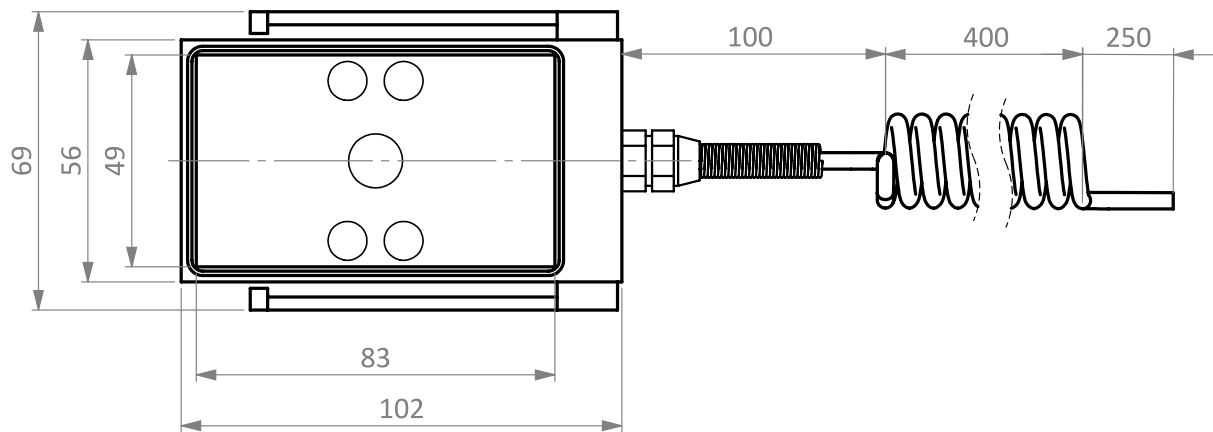
Type L16A Load Cell

Dimensions in mm

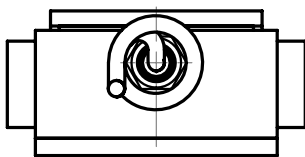
Front View



Top View



Side View



Isometric View

