

---

# **XK3118T12**

## **User Manual**

- Please read the manual carefully before using it
- Please keep the manual for future reference

---

## CONTENT

1.0 INTRODUCTION .....	3
2.0 INSTALLATION .....	3
2.1 INDICATOR SKETCH MAP .....	3
2.2 CONNECTION BETWEEN LOAD CELL AND INDICATOR.....	2
3.0 OPERATION .....	2
3.1 KEY INSTRUCTION .....	2
3.2 POWER ON,OFF ,STANDBY, LOW POWER ALARM,LOW POWER SHUTOFF .....	3
3.3 AUTO ZERO SETTING AT TURN ON .....	3
3.4 MANUAL ZERO SETTING.....	3
3.5 CLEAR TARE.....	3
3.6 WEIGHT、 UNIT PRICE AND TOTALLY PRICE INSTRUCTION.....	3
3.7 ACCUMULATION, ACCUMULATION DISPLAY, CLEAR ACCUMULATION OPERATION....	3
3.8 BATTERY INSTURMENT.....	3
<b>MAINTENANCE AND NOTES.....</b>	<b>错误!未定义书签。</b>

## 1.0 Introduction

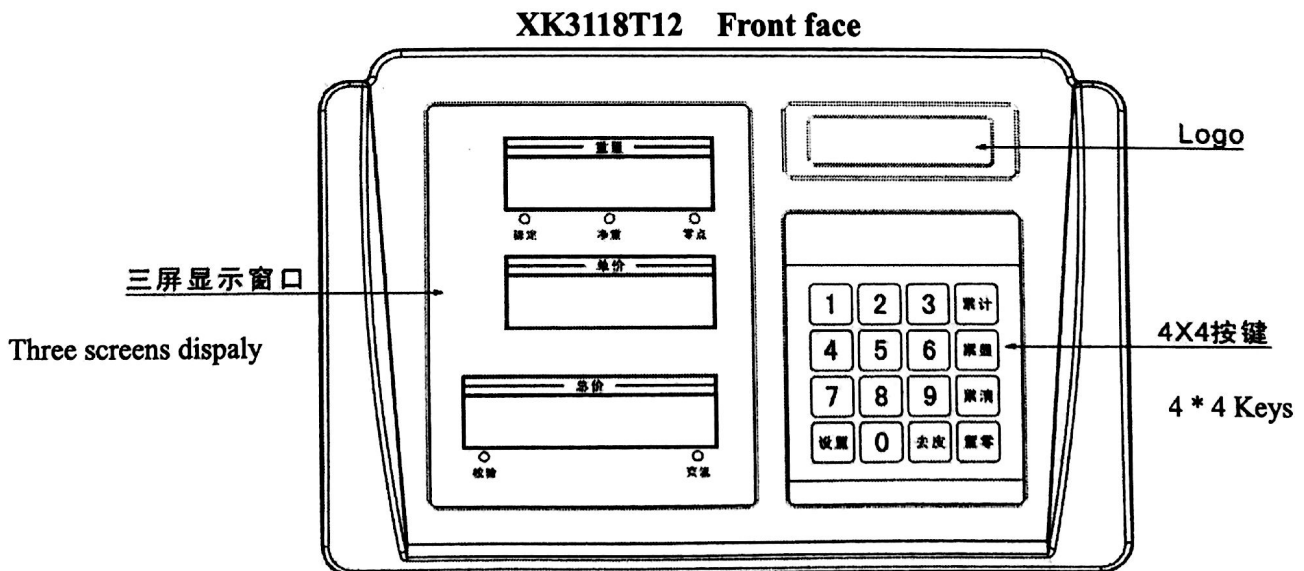
XK3118T12 Weighing indicator adopts  $\Delta$ - $\Sigma$  A/D conversion technology, Three screen display , can be used in platform scales, floor scales and and so on for static weighing applications.

### Technical parameter:

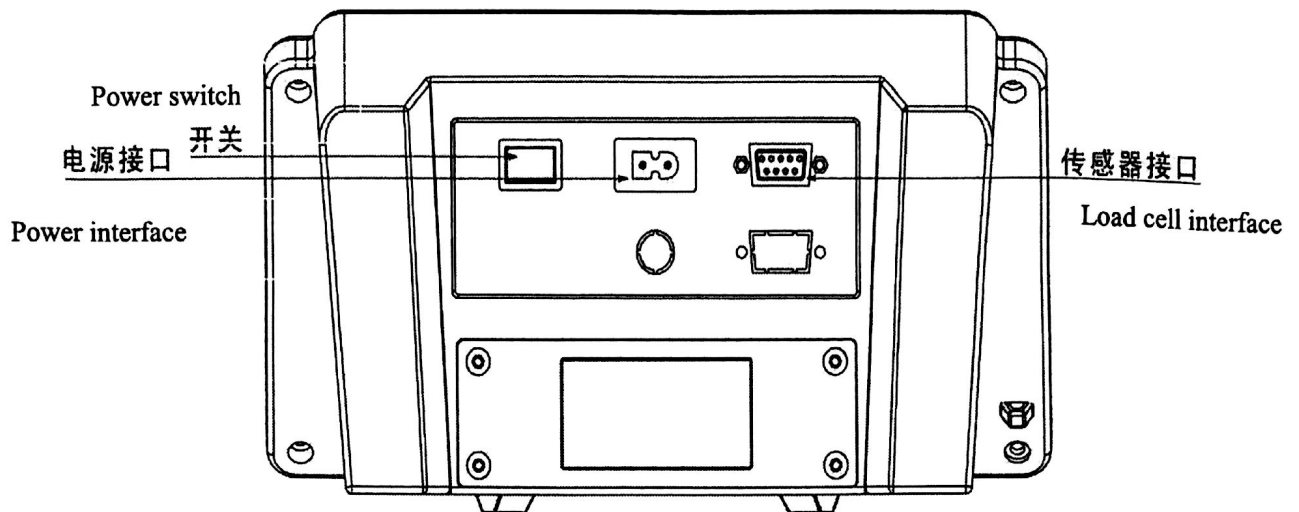
- ◆ A/D conversion mode: adopt  $\Delta$ - $\Sigma$  technology, 10times per second
- ◆ Input sensitivity  $\geq 1.5\mu\text{V/e}$
- ◆ Load Cell Excitation: DC +5V , can connect with 1-6pcs 350 $\Omega$  strain gauge load cell.
- ◆ Signal input range: -18mV $\sim$ 18mV  
Load cell connect mode: standard connection adopts 4 lines
- ◆ Division value 1/2/5/10/20/50 optional
- ◆ Power supply: special adapter, AC 100 $\sim$ 240V, 50Hz $\sim$ 60Hz;  
Inbuilt 6V/4AH maintenance-free lead acid battery

## 2.0 Installation

### 2.1 Indicator sketch map



## XK3118T12 Back face



### 2.2 connection between load cell and indicator

Shield	Instruction	
	①	-Excitation
	⑥	+Excitation
	⑧	-Signal
	⑨	+Signal
	⑤	Shield Wire

**▲ ! Connection between load cell and indicator must reliable; load cell's shield wire and metal housing must be connected to ground reliably. Connection or disconnection are not allowed when the indicator is on, so that prevent static to damage load cell or indicator.**

**▲ ! Static protection must be properly adopted as the load cell and indicator are static sensitive equipments. Welding or other strong electricity operation should be strictly forbidden to operate on the platform. During thunderstorm season, proper lightning protection should be taken so that protect the load cells and indicators from damaging by lightning and to ensure the personal safety and the safely running of the weighing and related equipments.**

## 3.0 Operation Instruction

### 3.1 Key Instruction

Indicator turn on and turn off, keys refer to above showed.

- (1) 10 digital keys (0~9);
- (2) Six function keys (Accumulating, accumulating show, accumulating clear, Zero, Tare, Setting).

---

### **3.2 Power switch、 Standby、 low power alarm and low power shutoff**

Power switch for turn on and turn off the indicator.

Standby mode will be activated when stable weighing last longer than 3 minutes and no operation carried out.

Low power alarm will be active when battery is low power, and the indicator will be shut off if no power charging at this moment

### **3.3 Power on and automatically Zero Setting**

Switch button can control indicator's power, indicator start to self check after turn on . the indicator will automatism zero setting when the platform deviate calibration zero but still in the range of turn on automatism zero setting. indicator displays "zero" and "zero" indicator light on, but indicator display current reading if deviate the range of Zero setting.

### **3.4 Manual Zero Setting**

When displayed G.W. is in the range of zero setting and reading is stable, press "zero setting" to zero setting, and "N.W." display mode is invalid

### **3.5 Clear Tare**

When G.W. more than Zero, can do tare operate when the reading is stable, after press "tare" key the indicator display "0",

When Tare is currently NW., and access "N.W." display mode, "N.W." indicator light on;

When Tare is "0".and was in "N.W." display mode, press "Tare" key can exit" N.W." display mode.

### **3.6 Weighing、 Unit Price and total Amount.**

Weighing screen display "-----" when it is overload.

Input unit price and display at second screen, at same time the unit price of first screen will be deleted automatically

The screen will display "-----" when weighing overload, total is negative and total is large than 9999.99

### **3.7 Accumulation, accumulation display, clear accumulation operation.**

Under weighing status, press "accumulating" if you want add the value, then indicator show the accumulated value, times and total, return back to weighing status after half second; It need reload for accumulating again, In weighing mode, Press accumulated display button, it shows the accumulated weight value, accumulated times and the value of accumulated, press accumulated button to return weighing status. In accumulated display status mode, press accumulated clear button for clear accumulated value, the accumulated clear button is not work under weighing mode.

### **3.8 Battery Notes**

Build in battery 6 V 2.5AH free maintenance lead-acid storage battery, Auto charging when connecting adapter, and the indicator light work, charge time will be about 24 hours in indicator switched off status.

---

★ Be sure to use storage battery after charging full to prolong its using life

If the indicator hasn't been used for a long time, be sure to charge for storage battery every two months and charge for 24hours each time.

★ Be sure to put carefully during moving or installing, to avoid of strong vibration or impact, to prevent damaging storage battery caused from short circuit of inside circuitry

### Maintenance and notes

1. In order to make sure indicator legible and using life, the indicator shall not be put where sunshine can reach directly, and the place shall be flat.

2. Shall not be put where there are a lot of powder and dust and bad vibration, and not be used in moist environment

3. load cells and indicator shall be connected reliably, whole system shall have good earthing , far away from electric field and magnetic field, load cells and indicator shall be kept away from strong corrosive and explosive things

▲! shall not be used in the condition with combustible gas or steam, shall not be used in canned system of pressure container

▲! shall install reliable lightning arrester in the area where thunder and lightning happen frequently, to ensure the operator safe and avoid of damaging indicator and related equipment

▲! load cells and indicator are electrostatic sensitive equipments, so shall take electrostatic proof action, and forbid welding and other strong electric field operation on scale platforms; during lightning storm season, shall carry out reliable lighting escaping actions to avoid of any damage to load cells and indicator, and ensure the operator safe and weighing equipment and related equipment running in security.

4. forbid to use strong menstruum (eg. Benzene, nitryl etc oil) to clean equipment housing.

5. shall not infuse liquid or other electric granule into the indicator, to avoid of damaging indicator and getting an electric shock.

6. before plugging and pulling out the connecting cable between indicator and external equipment, the supply power for indicator and related equipment must be cut off.

▲! before plugging and pulling out the connecting cable of load cells, the supply power of indicator must be cut off .

▲! before plugging and pulling out the connecting cable of scoreboard, the supply power of indicator and scoreboard must be cut off.

▲! before plugging and pulling out the communication cable, the supply power of indicator and upper equipment must be cut off.

七. Advice to customers: our indicators shall be checked and accepted, we only take responsibility for the quality of indicator, the highest compensation is within 2 times original value, do not take responsibility for system problem of indicator. .

8.The external interfaces of indicator shall be used strictly following the

---

method specified in using manual, shall not change connection discretionarily. If the indicator does not work during using, the adaptor shall be pulled out right now and send to professional company for repair. Usually non-scale professional companies shall not repair by themselves to avoid of any big damage. The indicator shall not be taken apart, otherwise, we will not take the responsibility of guarantee.

9. The indicator comes malfunction under normal using condition within a year since the date of selling out, which belongs to guarantee range, user can send product and guarantee card (item number shall be conform) to maintaining station or supplier. Manufacturer shall take maintenance on indicators for life.

Special statement: the product shall not opened and destroy lead sealing discretionarily, shall not calibrate without authorization of our technical managing organization.