

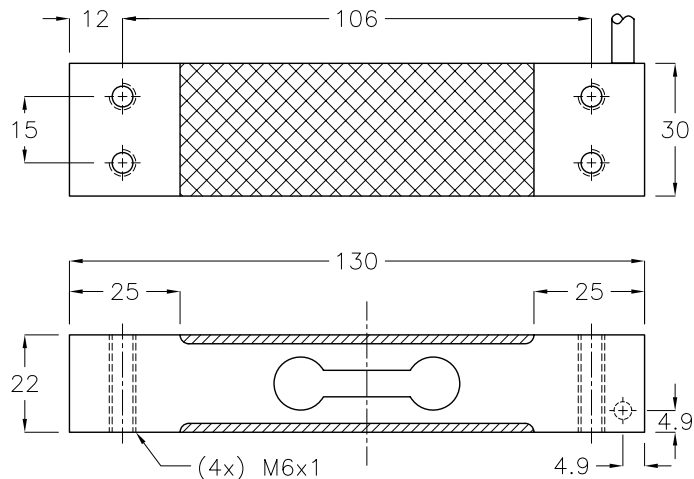
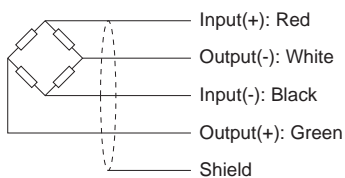
- Type:** Single Point
- Material:** Aluminum Alloy
- Surface:** Anodized Treatment
- Protection:** IP 65
- Features:** Suggested Platform
Size: 250 x 350 mm
- Application:** Bench & Counting Scales
Bagging Machine
Check Weighers



Specifications:

Capacity	kg	3 / 5 / 6 / 10 / 15 / 20 / 30 / 35 / 40 / 50	
Accuracy Class		C3	C5
Max. Number of Verification Intervals		3000	5000
Minimum Load cell Verification Interval		$E_{max}/10000$	$E_{max}/20000$
Temperature Effect on Zero	%FS/10°C	$\leq \pm 0.0205$	$\leq \pm 0.0090$
Temperature Effect on Sensitivity	%FS/10°C	$\leq \pm 0.0178$	$\leq \pm 0.0115$
Combined Error	%FS	$\leq \pm 0.0200$	$\leq \pm 0.0120$
Creep	%FS	$\leq \pm 0.0170$	$\leq \pm 0.0148$
Output Sensitivity	mv/v	2.0 ± 0.1	
Input Resistance	Ω	410 ± 5	
Output Resistance	Ω	350 ± 3.5	
Insulation Resistance	M Ω	≥ 5000	
Zero Balance	%FS	2	
Temperature, Compensated	°C	-10 ~ +40	
Temperature, Operating	°C	-20 ~ +50	
Excitation, Recommended	v	5 ~ 15	
Safe Overload	%FS	150	
Ultimate Overload	%FS	300	
Standard Cable Length	m	0.45	

Dimensions:



All dimensions: mm.