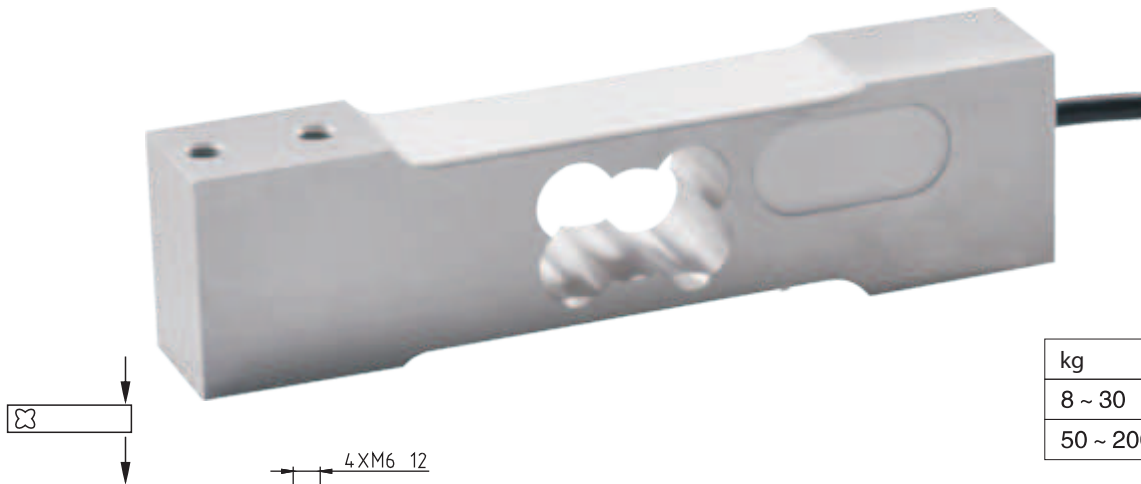
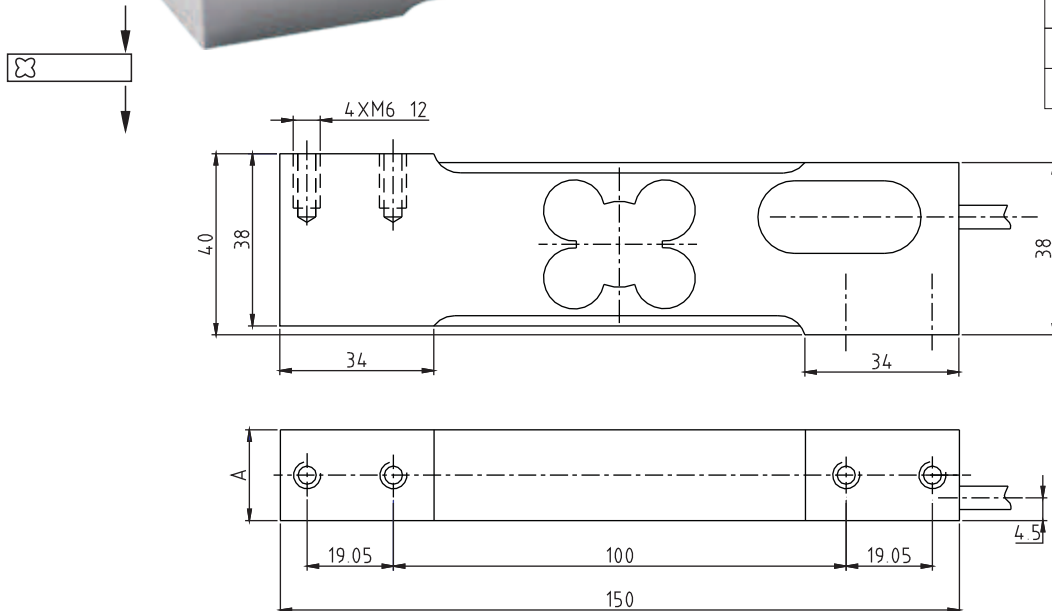


AMIB Load cell

AMIB



kg	A
8 ~ 30	20
50 ~ 200	25



All kinds of platform scales, bench scale

TECHNICAL PARAMETER | 4Wires: Exc+ (Red) ; Exc- (Black) ; Sig+ (Green) ; Sig- (White)

Rated capacities(Emax)	8,10,15,20,30,50,60,75,100,200kg	Temperature range, compensated	-10°C~+40°C
Sensitivity	2.0±0.2mV/V	Temperature range, operating	-20°C~+50°C
Accuracy class	OIML C3(approving)	Maximum safe overload	150%Emax
Creep error (30min)	±166ppm	Ultimate overload	300%Emax
Zero balance	±3%Emax	Excitation, recommended	10V DC
TC ZERO	±17.5ppm/°C	Excitation, maximum	15V DC
TC SPAN	+20°C~+40°C, ±17.5ppm/°C	Protection class	IP65
	-10°C~+20°C, ±11.67ppm/°C	Construction	Aluminium
Input resistance	404±15Ω	Cable	Length:1.8m
Output resistance	350±3Ω		Diameter: φ 5mm
Insulation resistance	≥2000 MΩ (50V DC)	Installation torque, recommended	10N·m
Max platform size	300×400mm		