

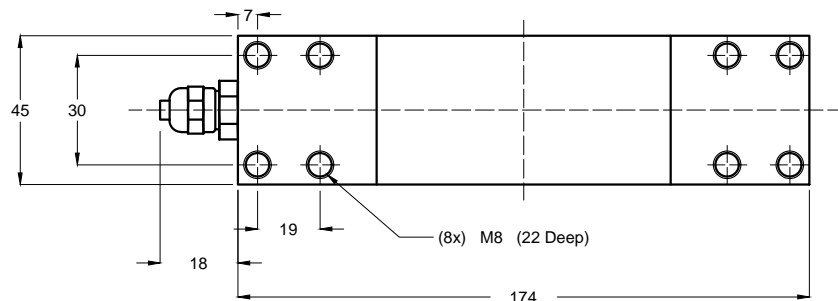
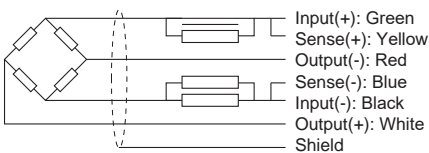
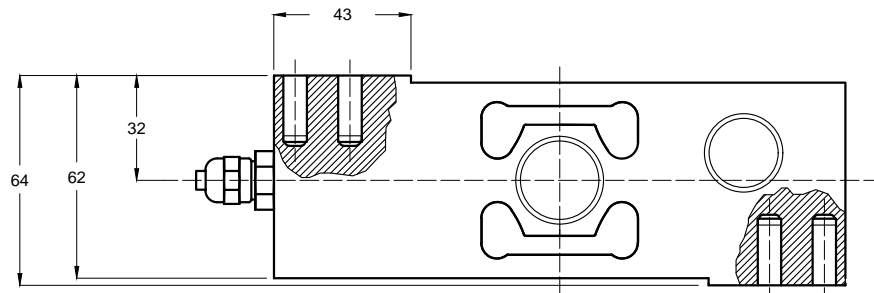
- Type:** Single Point
- Material:** Stainless Steel
- Protection:** IP 68
- Features:** Suggested Platform Size: 800 x 800 mm
- Application:** Bench Scales  
Multi Head Weighers  
Check Weighers



*Specifications:*

<b>Capacity</b>	kg	100 / 150 / 200 / 300 / 400 / 500	
<b>Accuracy Class</b>		<b>C3</b>	<b>C5</b>
<b>Max. Number of Verification Intervals</b>	$n_{max}$	3000	5000
<b>Minimum Load cell Verification Interval</b>	$V_{min}$	$E_{max}/10000$	$E_{max}/20000$
<b>Temperature Effect on Zero</b>	%FS/10°C	$\leq \pm 0.0165$	$\leq \pm 0.0090$
<b>Temperature Effect on Sensitivity</b>	%FS/10°C	$\leq \pm 0.0137$	$\leq \pm 0.0110$
<b>Combined Error</b>	%FS	$\leq \pm 0.0200$	$\leq \pm 0.0140$
<b>Creep</b>	%FS	$\leq \pm 0.0165$	$\leq \pm 0.0148$
<b>Output Sensitivity</b>	mv/v	2.0 ± 0.2	
<b>Input Resistance</b>	$\Omega$	350 ± 3.5	
<b>Output Resistance</b>	$\Omega$	350 ± 3.5	
<b>Insulation Resistance</b>	M $\Omega$	$\geq 5000$	
<b>Zero Balance</b>	%FS	1.5	
<b>Temperature, Compensated</b>	°C	-10 ~ +40	
<b>Temperature, Operating</b>	°C	-30 ~ +70	
<b>Excitation, Recommended</b>	v	5 ~ 15(DC)	
<b>Safe Overload</b>	%FS	150	
<b>Ultimate Overload</b>	%FS	300	
<b>Standard Cable Length</b>	m	3	

*Dimensions:*



All dimensions: mm.