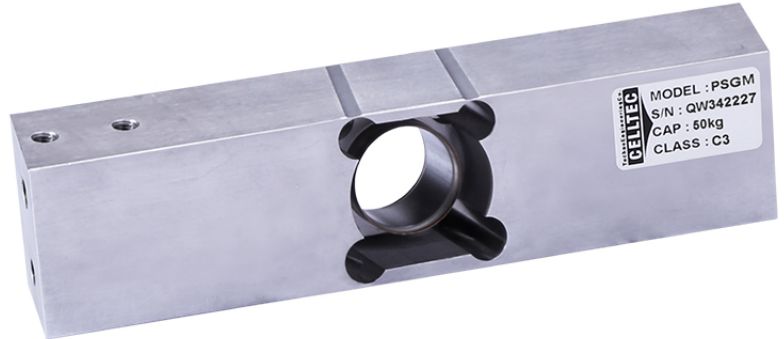


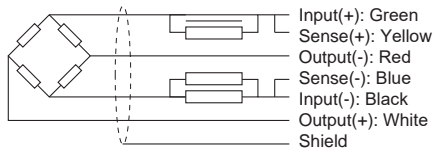
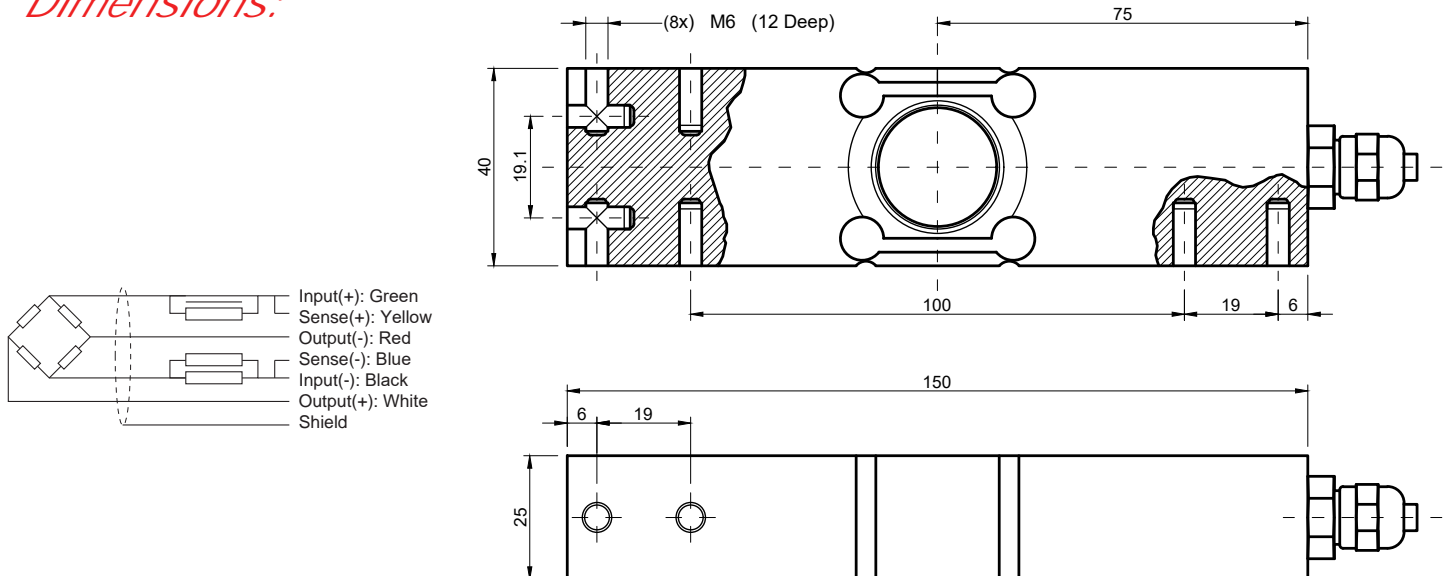
- Type:** Single Point
- Material:** Stainless Steel
- Protection:** IP 68
- Features:** Suggested Platform Size: 400 x 400 mm
- Application:** Bench Scales
Multi Head Weighers
Check Weighers



Specifications:

Capacity	kg	10 / 20 / 50 / 75 / 100	
Accuracy Class		C3	C5
Max. Number of Verification Intervals	n_{max}	3000	5000
Minimum Load cell Verification Interval	V_{min}	$E_{max}/10000$	$E_{max}/20000$
Temperature Effect on Zero	%FS/10°C	$\leq \pm 0.0165$	$\leq \pm 0.0090$
Temperature Effect on Sensitivity	%FS/10°C	$\leq \pm 0.0137$	$\leq \pm 0.0110$
Combined Error	%FS	$\leq \pm 0.0200$	$\leq \pm 0.0140$
Creep	%FS	$\leq \pm 0.0165$	$\leq \pm 0.0148$
Output Sensitivity	mv/v	2.0 ± 0.2	
Input Resistance	Ω	380 ± 10	
Output Resistance	Ω	350 ± 3.5	
Insulation Resistance	M Ω	≥ 5000	
Zero Balance	%FS	1.5	
Temperature, Compensated	°C	-10 ~ +40	
Temperature, Operating	°C	-30 ~ +70	
Excitation, Recommended	v	5 ~ 15(DC)	
Safe Overload	%FS	150	
Ultimate Overload	%FS	300	
Standard Cable Length	m	3	

Dimensions:



All dimensions: mm.