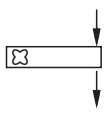
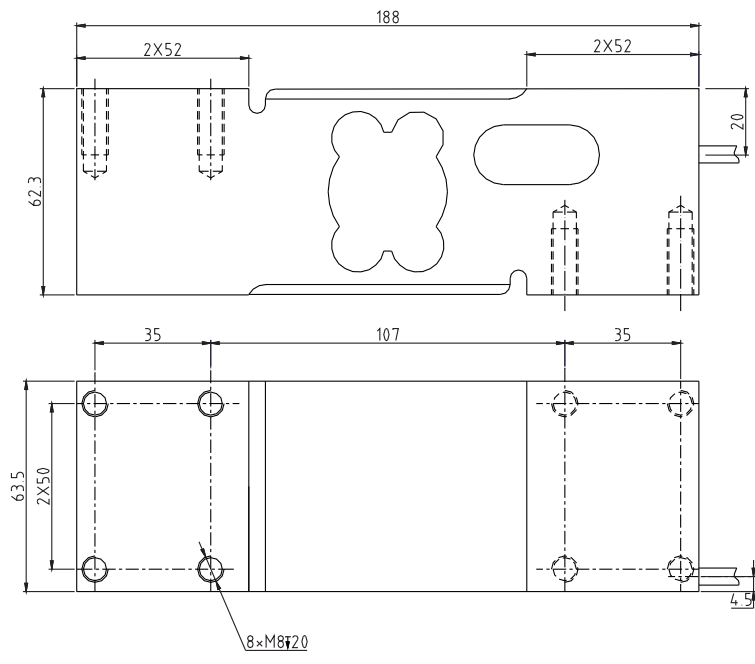
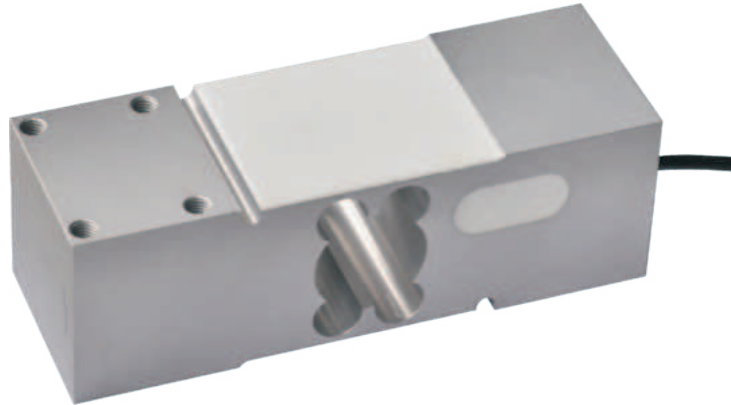




UDJ Load cell

UDJ



Platform scale, compression testing situations

TECHNICAL PARAMETER

4Wires: Exc+ (Red) ; Exc- (Black) ; Sig+ (Green) ; Sig- (White)

Rated capacities(Emax)	50,75,100,150,200,250,300,500,635,750,800kg;1t	Temperature range, compensated	-10°C~+40°C
Sensitivity	2.0±0.2mV/V	Temperature range, operating	-20°C~+50°C
Accuracy class	OIML C3	Maximum safe overload	150%Emax
Creep error (30min)	± 166ppm	Ultimate overload	300%Emax
Zero balance	± 3%Emax	Excitation,recommended	10V DC
TC ZERO	± 17.5ppm/°C	Excitation,maximum	15V DC
TC SPAN	+20°C~+40°C, ± 17.5ppm/°C	Protection class	IP65
	-10°C~+20°C, ± 11.67ppm/°C	Construction	Aluminium
Input resistance	404 ± 15Ω	Cable	Length:1.8m
Output resistance	350 ± 3Ω		Diameter: φ 5mm
Insulation resistance	≥ 2000 MΩ (50V DC)	Installation torque,recommended	25N · m
Max platform size	600×800mm		