



Short description



- Fit for 4-wire and 6-wire load cells
- Easy installation
- Cast aluminium housing
- Protective coating

Available models

Model	Amount of connections	Full article description	Part number
JB06	2	JB06C-2	3006010
	3	JB06C-3	3006020
	4	JB06C-4	3006030
	6	JB06C-6	3006040
	8	JB06C-8	3006050

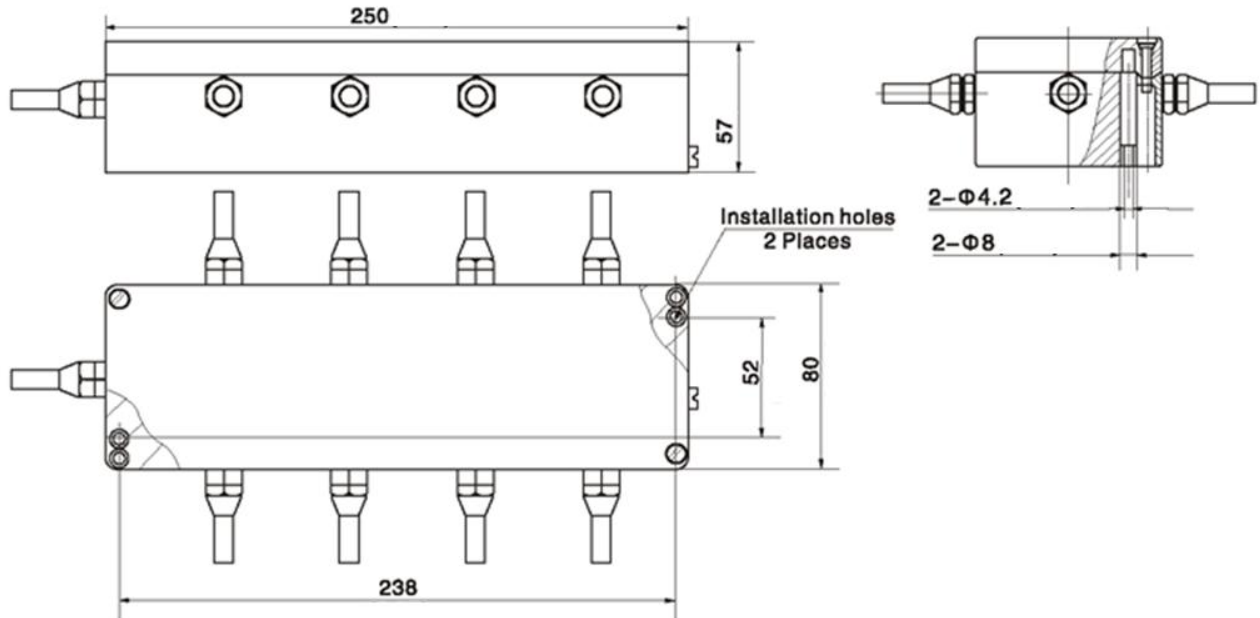
Detailed specifications JB06

Load cell output resistance range	Ω	340 to 1100
Load cell input resistance range	Ω	340 to 1100
Excitation, recommended voltage	V(AC&DC)	5 to 17
Excitation, maximum	V(AC&DC)	18
Load cell sensitivity range	mV/V	0.6 – 3
Cable \varnothing	mm	5 to 6.2
Correction method		Signal trim
Trimming range	Ω	14
Temperature range, operating	$^{\circ}\text{C}$	-40...+85
Ingress protection		IP65
Housing connected to shield		Yes
External grounding		Yes

Specifications and dimensions are subject to change without notice and do not constitute any liability whatsoever.

Type JB06

Dimensions in mm



Specifications and dimensions are subject to change without notice and do not constitute any liability whatsoever.